

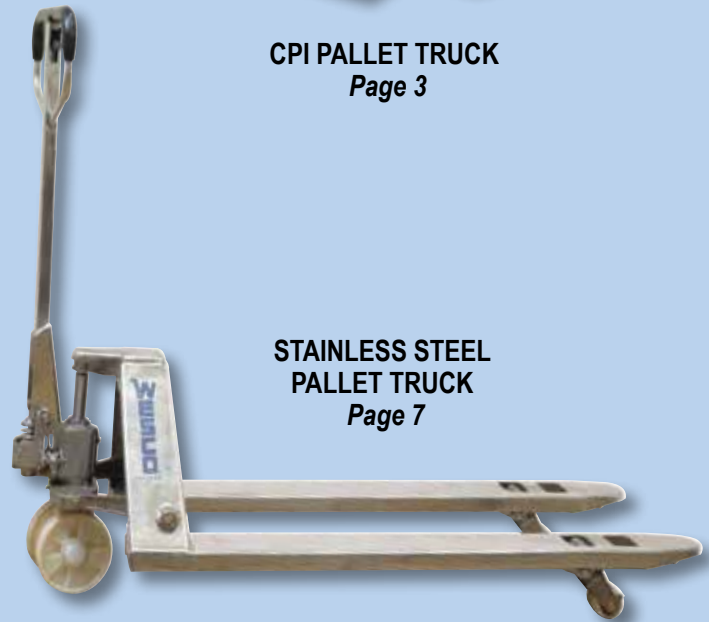
PALLET TRUCKS



CPI PALLET TRUCK
Page 3



CPI PALLET TRUCK
WITH GUARD
Back Cover



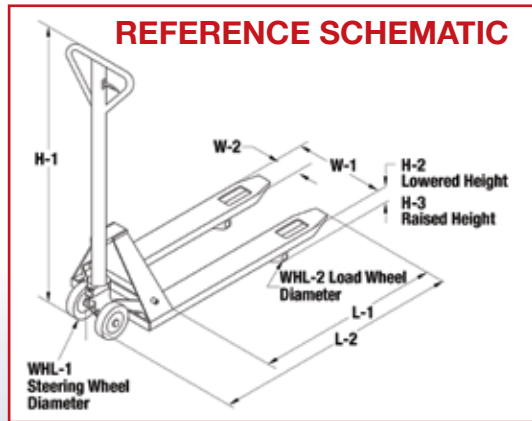
STAINLESS STEEL
PALLET TRUCK
Page 7



DELUXE PALLET TRUCKS

Deluxe Adjustable Fork Model

- 5 year pump warranty.
- US Patent No. 6,808,357.
- 7" moldon polyurethane steering wheel.
- 3" moldon polyurethane load wheels.
- 7.75" raised height.
- 3" lowered height.
- 6" wide 8 gauge reinforced forks.
- 200° steering radius.



Adjustable fork width can be set from 21" to 27" or anywhere in between. Just loosen and reset front and rear adjusting bolts. A Wesco exclusive One truck to do the work of two!



Deluxe Foot Pump Model

- 5 year pump warranty.
- All the same features and dimensions as Standard Deluxe Model 272748.
- 6" wide 8 gauge reinforced forks.
- Foot pedal gives you the option of using the foot pedal to raise the forks when space constraints make it difficult to use the standard handle to raise the load.
- 200° steering radius.



Deluxe Lowboy Models

- 5 year pump warranty.
- 2.125" lowered height.
- 6" moldon polyurethane steering wheel.
- 2" steel load wheels.
- 6.25" raised height.
- 6" wide 8 gauge reinforced forks.
- 200° steering radius.



Part #	272747	272746	272744	272766	272760	272761	272762	272765	272136	272142	272148
Model	ADJ. FORK	ADJ. FORK	ADJ. FORK	FOOT PUMP	LOWBOY	LOWBOY	LOWBOY	LOWBOY	STANDARD	STANDARD	STANDARD
Capacity	5,500 lbs	5,500 lbs	5,500 lbs	5,500 lbs	5,500 lbs	5,500 lbs	5,500 lbs	5,500 lbs	5,500 lbs	5,500 lbs	5,500 lbs
W-1 x L-1	16"- 20" x 36"	16"- 20" x 48"	21" - 27" x 48"	27" x 48"	21" x 36"	21" x 42"	21" x 48"	27" x 48"	21" x 36"	21" x 42"	21" x 48"
W-2	6"	6"	6"	6"	6"	6"	6"	6"	6"	6"	6"
L-2	51"	61"	61"	63"	51"	57"	63"	63"	51"	57"	63"
WHL-1 / WHL-2	7" / 3"	7" / 3"	7" / 3"	8" / 3"	6" / 2"	6" / 2"	6" / 2"	6" / 2"	8" / 3"	8" / 3"	8" / 3"
H-1/H-2/H-3	47" / 3" / 7.75"	47" / 3" / 7.75"	47" / 3" / 7.75"	48" / 3" / 8"	46.5" / 2.125" / 6.25"	46.5" / 2.125" / 6.25"	46.5" / 2.125" / 6.25"	46.5" / 2.125" / 6.25"	48" / 3" / 8"	48" / 3" / 8"	48" / 3" / 8"
Weight	147.5 lbs	157 lbs	180 lbs	170 lbs	134 lbs	143 lbs	148 lbs	157 lbs	143 lbs	152 lbs	157 lbs



SINCE 1948

CPI PALLET TRUCKS

DELUXE MODEL FEATURES

- Pump overload bypass.
- Rubber coated handle.
- Adjustable fork tie rods.
- Exit rollers
- 200° steering.
- Tapered fork tips.
- 8 gauge 6" wide reinforced forks.

Standard Deluxe Models

- **5 year pump warranty.**
- 8" moldon polyurethane steering wheel.
- 3" moldon polyurethane load wheels.
- 8" raised height.
- 3" lowered height.
- 6" wide 8 gauge reinforced forks.
- 200° steering radius.



272748

Deluxe Quick Lift Model

- **5 year pump warranty.**
- **US Patent No. 9,102,346.**
- Fastest/quickest lift on the market.
- Just step on the pedal. **No Pumping.** Lifts to 4.5".
- All the same features and dimensions as Standard Deluxe models.
- Normal pump operation when load exceeds 300 lbs.
- 6" wide 8 gauge reinforced forks.



CPI Pallet Truck

- **2 year pump warranty.**
- **4 mm thick forks.**
- Adjustable fork connecting rods.
- Overload bypass.
- Rubber coated handle.
- 7" moldon polyurethane steering wheels.
- 3" moldon polyurethane load wheels.
- Entry and Exit Rollers.
- 6.25" wide forks.
- 210° steering radius.



272660



272854

CPI Narrow Pallet Truck

- **2 year pump warranty.**
- **4 mm thick forks.**
- 18" overall width.
- Adjustable fork connecting rods.
- Overload bypass.
- Rubber coated handle.
- 7" moldon polyurethane steering wheels.
- 3" moldon polyurethane load wheels.
- Entry and Exit Rollers.
- 6.25" wide forks.
- 210° steering radius.

272736	272742	272748	272861	272655	272656	272657	272658	272659	272660	272854
STANDARD	STANDARD	STANDARD	QUICK LIFT	CPI	CPI	CPI	CPI	CPI	CPI	CPI NARROW
5,500 lbs	5,500 lbs	5,500 lb	5,500 lbs /300 lb Q.L.	5,500 lbs	5,500 lbs	5,500 lbs	5,500 lbs	5,500 lbs	5,500 lbs	5,500 lbs
27" x 36"	27" x 42"	27" x 48"	27" x 48"	21" x 36"	21" x 42"	21" x 48"	27" x 36"	27" x 42"	27" x 48"	18" x 48"
6"	6"	6"	6"	6.25"	6.25"	6.25"	6.25"	6.25"	6.25"	6.25"
51"	57"	63"	63"	51"	57"	63"	51"	57"	63"	63"
8" / 3"	8" / 3"	8" / 3"	7" / 3"	7" / 3"	7" / 3"	7" / 3"	7" / 3"	7" / 3"	7" / 3"	7" / 3"
48" / 3" / 8"	48" / 3" / 8"	48" / 3" / 8"	48" / 3" / 8"	48.25" / 2.9" / 7.25"	48.25" / 2.9" / 7.25"	48.25" / 2.9" / 7.25"	48.25" / 2.9" / 7.25"	48.25" / 2.9" / 7.25"	48.25" / 2.9" / 7.25"	48.25" / 2.9" / 7.25"
151 lbs	161 lbs	166 lbs	166 lbs	153 lbs	161.5 lbs	169.5 lbs	162 lbs	171 lbs	180 lbs	171 lbs

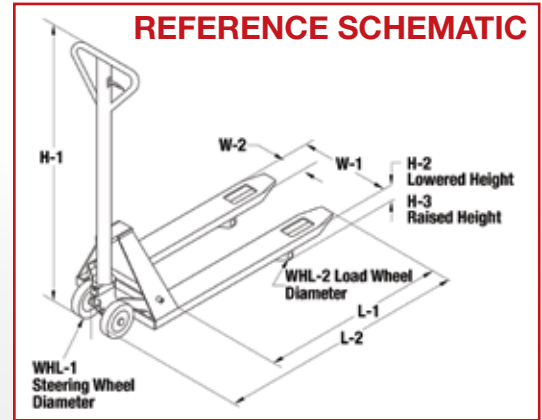
CPII PALLET TRUCKS



272778

CPIIHD Pallet Truck

- 3 year pump warranty.
- 6,600 lb capacity.
- Adjustable fork connecting rods.
- Entry/exit rollers.
- Overload bypass.
- Reinforced forks - 4 mm thick.
- Rubber coated handle.
- 7" wide forks.
- 8" moldon polyurethane steering wheels.
- 3" moldon polyurethane load wheels.
- 180° steering radius.



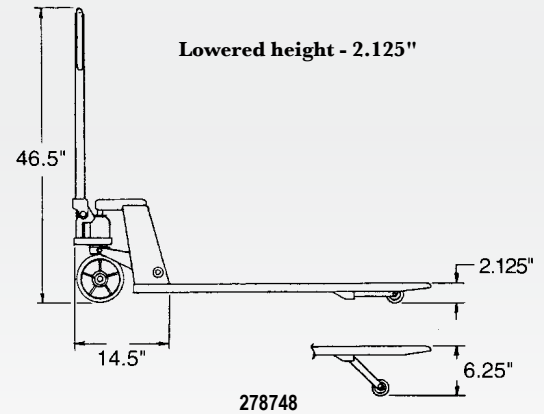
CPII Pallet Truck

- 3 year pump warranty.
- 2 Models - polyurethane or nylon wheels.
- Adjustable fork connecting rods.
- Entry/exit rollers.
- Overload bypass.
- Reinforced forks - 11 Gauge.
- Rubber coated handle.
- Raised height: 8".
- Lowered height: 3".
- 7" wide forks.
- 8" moldon polyurethane or 8" nylon steering wheels.
- 3" moldon polyurethane or nylon load wheels.
- 180° steering radius.



272670

HIGH CAPACITY - 6,600 lb



278748

CPII Lowboy Pallet Truck

- 3 year pump warranty.
- Many features are the same as CPII.
- Lowered height of 2.125".
- 7" wide forks - 4 mm thick.
- 7" moldon polyurethane steering wheels.
- 2" steel load wheels.
- 180° steering radius.

	Polyurethane Wheels		Nylon Wheels	
--	---------------------	--	--------------	--

Part #	272777	272778	272775	272776	272670	278136	278142	278148	278748
Model	CPII	CPII	CPII	CPII	CPIIHD	CPII LOWBOY	CPII LOWBOY	CPII LOWBOY	CPII LOWBOY
Capacity	5,500 lbs	5,500 lbs	5,500 lbs	5,500 lbs	6,600 lbs	4,400 lbs	4,400 lbs	4,400 lbs	4,400 lbs
W-1 x L-1	21" x 48"	27" x 48"	21" x 48"	27" x 48"	27" x 48"	21" x 36"	21" x 42"	21" x 48"	27" x 48"
W-2	7"	7"	7"	7"	7"	7"	7"	7"	7"
L-2	63"	63"	63"	63"	63"	51"	57"	63"	63"
WHL-1 / WHL-2	8" / 3"	8" / 3"	8" / 3"	8" / 3"	8" / 3"	7" / 2"	7" / 2"	7" / 2"	7" / 2"
H-1/H-2/H-3	48" / 3" / 8"	48" / 3" / 8"	48" / 3" / 8"	48" / 3" / 8"	48" / 3" / 8"	46.5" / 2.125" / 6.25"	46.5" / 2.125" / 6.25"	46.5" / 2.125" / 6.25"	46.5" / 2.125" / 6.25"
Weight	170lbs	176 lbs	159.5 lbs	169 lbs	220 lbs	226 lbs	235 lbs	240 lbs	249 lbs

CP3 & SCALE PALLET TRUCKS



273448

CP3 Pallet Truck

- 2 year pump warranty.
- 3 mm thick forks.
- Adjustable fork connecting rods.
- Overload bypass.
- Rubber coated handle.
- 7" moldon polyurethane steering wheels.
- 3" moldon polyurethane load wheels.
- Entry and Exit Rollers.
- 210° steering radius.

Scale Truck

- 2 year pump warranty.
- Weighing accuracy \pm 4.4 lbs., or 2.0 kg.
- LED display scale.
- Metler-Toledo Hawk scale/sensor.
- UL approved scale operates on rechargeable battery. May be plugged into AC and used while recharging.
- Replacement Battery Pack #272849.
- Self-contained battery charger.
- Three position hand control.
- 205° turning radius.
- 7" wide forks.
- 7" moldon polyurethane steering wheels.
- 3" moldon polyurethane load wheels.
- Not for legal trade.



272936



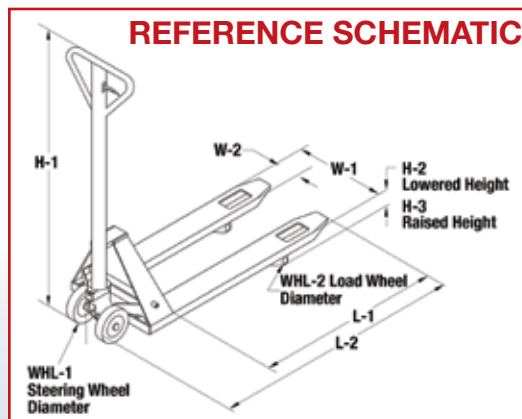
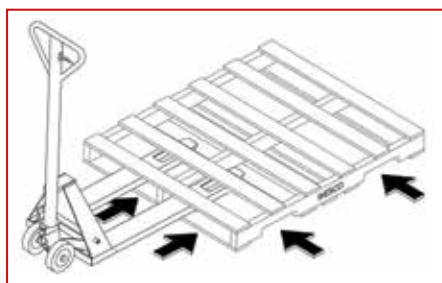
273384

Powered Scale Truck

- 1 year warranty: DC motor drive, hydraulic pump, controllers and switches.
- 90-day parts warranty.
- Built-in battery charger.
- Two 12V-91Ah batteries.
- Requires higher fork clearance. Minimum 3.75" from floor to underside of skid.
- Pallets with bottom board require 4" clearance between top and bottom boards.
- Part #170015 - Powered Scale Truck without battery.
- Weighing accuracy \pm .22 lbs, or 3.5 oz.
- 6 digit LED display.
- Display uses four "C" sized batteries.
- Not for legal trade.

CP3 Pallet Trucks			Scale Trucks		Powered Scale Truck
273453	273454	273448	272936	272938	273384
CP3	CP3	CP3	SPT27	SPT22	PST
5,500 lbs	5,500 lbs	5,500 lbs	5,000 lbs	5,000 lbs	2,900 lbs
21" x 36"	21" x 48"	27" x 48"	27.5" x 47.5"	22.5" x 47.5"	26.5" x 47"
6.25"	6.25"	6.25"	7"	7"	6.8"
51"	63"	63"	62.5"	62.5"	64"
7" / 3"	7" / 3"	7" / 3"	7" / 3"	7" / 3"	8" / 3"
48.25" / 2.9" / 7.25"	48.25" / 2.9" / 7.25"	48.25" / 2.9" / 7.25"	48.25" / 2.9" / 8"	48.25" / 2.9" / 8"	57.5" / 3.5" / 8.25"
139 lbs	152.5 lbs	164.5 lbs	336 lbs	314 lbs	728 lbs w/battery 613 lbs w/out battery

4-WAY, HAND BRAKE, ECONOMY



273400

4-Way Pallet Truck

- 3 year pump warranty.
- Overload bypass.
- Reinforced forks - 4 mm thick.
- Rubber coated handle.
- 180° steering radius.
- Can enter pallet from all 4 sides.
- Adjustable fork connecting rods.
- Steel 1.70" load wheels.
- 6" polyurethane steering wheels.

Pallet Truck With Hand Brake

- 2 year pump warranty.
- All the same features as the CPI model.
- 6" wide forks.
- 7" moldon polyurethane steeringwheels.
- 3" moldon polyurethane load wheels.
- Disc brake.
- Tandem load wheels.
- 210° steering radius.
- Nylon entry rollers.



MOST ECONOMICALLY PRICED PALLET TRUCK

272149



272667

EQUIPPED WITH HAND BRAKE

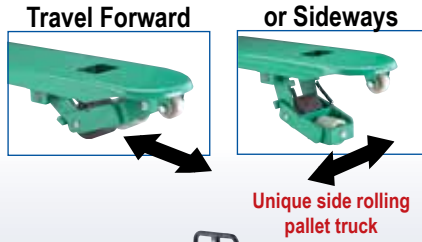
Economizer Pallet Truck

- 1 year pump warranty.
- Fingertip control: raise - neutral - lower.
- 3" moldon polyurethane load and 6.25" moldon polyurethane steering wheels.
- 190° steering radius.
- 6" wide 3mm thick forks.

Part #	273400	272667	272149
Model	4-WAY	HAND BRAKE	ECONOMIZER
Capacity	4,000 lbs	5,500 lbs	4,400 lbs
W-1 x L-1	33" x 48"	27" x 48"	27" x 48"
W-2	7"	6"	6"
L-2	63.5"	63"	63"
WHL-1 / WHL-2	6" / 1.70"	7" / 3"	6.25" / 3"
H-1 / H-2 / H-3	47" / 1.75" / 6"	48.25" / 2.9" / 7.25"	48.25" / 2.9" / 7.5"
Weight	241 lbs	206 lbs	136 lbs

& SPECIALTY PALLET TRUCKS

UNIQUE DESIGN TRANS-ROLLER TRUCKS MOVE FORWARD OR SIDEWAYS



TransRoller Pallet Truck

- 3 year pump warranty.
- Lowered height 3.4". Raised height 8.5".
- Fork height in standard mode 3.4" lowered, 7" raised.
- Fork height for lateral movement 7.25" lowered, 8.5" raised.
- Adjustable fork connecting rods.
- Overload bypass.
- Ergonomic rubber coated handle.
- Entry rollers.
- 7" wide forks.
- 8" moldon polyurethane steering wheels.
- 3" moldon polyurethane load wheels.
- 210° steering radius.

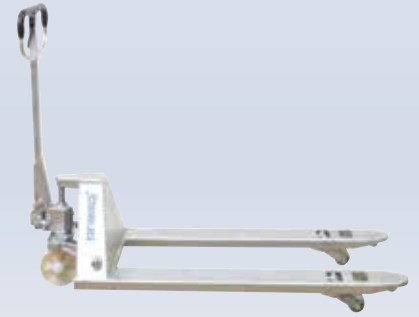


Stainless Steel Pallet Truck

- 1 year pump warranty.
- For use in food industry and areas where corrosive solutions are used.
- 6 1/4" wide forks.
- 7" nylon steering wheels.
- 3" nylon load wheels.
- 210° steering radius.
- Comfort-grip coated handles.

Long Fork Pallet Truck

- 2 year pump warranty.
- Pump, load wheels and steering wheels same as CPI model.
- Overload bypass.
- Rubber coated handle.
- 7" moldon polyurethane steering wheels.
- 3" moldon polyurethane load wheels.
- 78" and 98" forks handle 2 standard size pallets.
- 210° steering radius.
- Nylon entry rollers.



Galvanized Steel Pallet Truck

- 1 year pump warranty.
- For use in corrosive and wet environments, laboratories, clean rooms.
- 6 1/4" wide forks.
- 7" nylon steering wheels.
- 3" nylon load wheels.
- 210° steering radius.
- Comfort-grip coated handles.

STAINLESS STEEL

272740	273585	272701	273519	273586	272152	272855
TRANS ROLLER	LONG FORK PT59	LONG FORK PT70	LONG FORK PT78	LONG FORK PT98	SSPT	GALVANIZED STEEL GPT
Standard - 5,000 lbs/ Lateral 2,200 lbs	4,400 lbs	4,400 lbs	4,400 lbs	3,300 lbs	5,500 lbs	5,500 lbs
27" x 48"	27" x 59"	27" x 70"	27" x 78"	27" x 98"	27" x 48"	27" x 48"
7"	6"	6"	6"	6"	6.25"	6.25"
63"	75"	86"	93"	114"	62.5"	62.5"
8" / 3"	7" / 3"	7" / 3"	7" / 3"	7" / 3"	7" / 3"	7" / 3"
Std. mode - 48" / 3.4" / 7" Lateral mode - 48" / 3.4" / 8.5"	48" / 3" / 7"	49" / 3" / 8"	49" / 3" / 8"	48" / 3" / 7"	47.5" / 3" / 7.25"	47.5" / 3" / 7.25"
210 lbs	220 lbs	244 lbs	256 lbs	347 lbs	164 lbs	155 lbs

SPECIALTY PALLET TRUCKS



272950

Ergonomic Pallet Tilter

- 1 year pump warranty.
- 5" polyurethane swivel casters and 3" polyurethane load wheels.
- Handle height: 44 1/4".
- Load center: min 7 1/2", max. 15 1/2".
- Lifting range with forks in horizontal position: 3 1/4" to 11".
- Forks tilt up to 90° for accurate load positioning.
- Lifting range with back rest in horizontal position: 29" to 37".
- 6 1/2" wide forks.



273250

Drum Pallet Truck

- 1 year pump warranty.
- For 55-gallon steel drums.
- Lifts drum 4" off ground.
- 8" x 2" nylon steering wheels.
- 3" x 1" nylon load wheels.
- Drum ring raised height - 14.5"
- Drum ring lowered height - 10.25"



272153

Pallet Lifter

- 1 year pump warranty.
- Heavy duty steel construction.
- Pallets with bottom boards must be placed on top of forks.
- 6 1/2" wide forks.
- 6" polyurethane swivel casters.
- 2" polyurethane load wheels.



273286

Semi-Electric Pallet Truck

- 1 year pump warranty.
- Manual lift, power drive.
- Lowered/raised fork height: 3" / 7.5".
- 10" polyurethane drive wheel.
- 3" polyurethane load wheels.
- Speed: 1.6 - 2.4 mph with load.
- 2 batteries - 24V 38Ah.
- 24 volt 8 amp built-in charger.
- 61" turning radius.
- Two fork widths - 20.5" and 27".

Heavy Duty Semi-Electric Pallet Truck

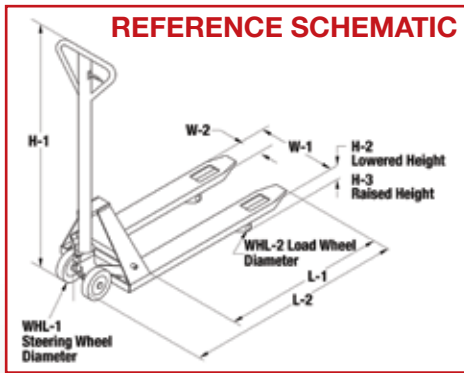
- 1 year pump warranty.
- Manual lift.
- Lowered/raised fork height: 3" / 7".
- 7.25" x 2" polyurethane drive wheel.
- 3" polyurethane load wheels.
- Speed: 2.80 mph with load.
- 2 batteries - 24V 38Ah.
- 24 volt 8 amp charger.
- 62" turning radius.



273289

Part #	272950	273250	272153	273288	273286	273289
Model	ERPT	PTDL	PLFTR	SEPT2.2-20.5	SEPT2.2-27	SEPT3.3
Capacity	2,200 lbs	660 lbs	1,100 lbs	2,200 lbs	2,200 lbs	3,300 lbs
W-1 x L-1	21.5" x 31"	28.5" x 26"	27" x 44"	20.5" x 48"	27" x 48"	27" x 48"
W-2	6.5"	2.5"	6.5"	6.25"	6.25"	6.25"
L-2	51.67"	41"	61.5"	65.75"	65.75"	69"
WHL-1 / WHL-2	5" / 3"	8" / 3"	6" / 2"	10" / 3"	10" / 3"	7.25" / 3"
H-1/H-2/H-3	44.25" / 3.25" / 11"	47.75" / 3" / 8"	40" / 3.5" / 35"	48.5" / 3" / 7.5"	48.5" / 3" / 7.5"	54" / 3" / 7"
Weight	392 lbs	115 lbs	258 lbs	397 lbs	402 lbs	518 lbs

MANUAL / ELECTRIC LIFT



Manual High Lifts

- 1 year pump warranty.
- Two stage pump with Quick Lift feature.
- Two models: Telescoping and Non-Telescoping.
- Moldon polyurethane wheels.
- 180° steering radius.
- Loop handles with inside hand control.
- Closed pallets must be placed on top of forks.
- Comfort coated handles.



Stainless Steel Manual High Lift

- 1 year pump warranty.
- Two stage pump with Quick Lift feature.
- 304 stainless steel construction. Forks are 316 stainless steel.
- Nylon 3" load (WHL-2) and 8" nylon steering (WHL-1) wheels.
- 180° steering radius.
- Loop handles with inside hand control.
- Closed pallets must be placed on top of forks.



Electric High Lifts

- 1 year pump warranty.
- Two models: Telescoping and Non-Telescoping.
- 12 volt battery charger included.
- 10-12 second lift time unloaded.
- Overload bypass.
- Polyurethane wheels.
- 180° steering radius.
- Comfort coated handles.
- 6 1/2" wide forks.
- 6" moldon polyurethane steering wheels.
- 3" moldon polyurethane load wheels.



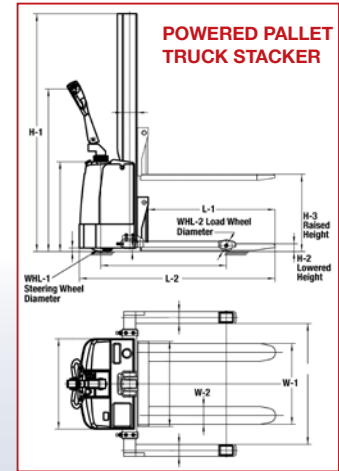
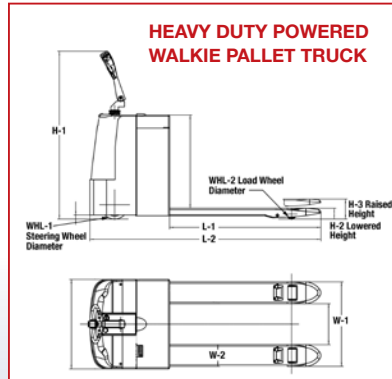
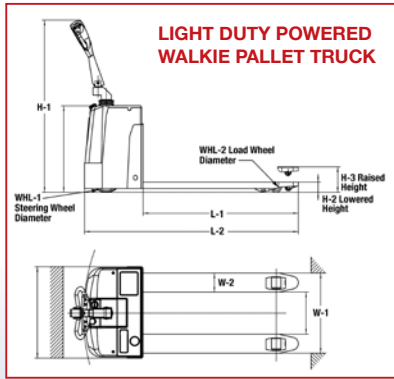
Stainless Steel Electric High Lift

- 1 year pump warranty.
- 304 stainless steel construction. Forks are 316 stainless steel.
- Nylon 3" load (WHL-2) and 8" nylon steering (WHL-1) wheels.
- 12 volt battery charger included.
- 10-12 second lift time unloaded.
- Overload bypass.
- 180° steering radius.
- 6.5" wide forks.



	MANUAL							ELECTRIC				
	Stainless Steel							Stainless Steel				
Part #	272859	272755	272754	272462	272463	272975	272976	272860	272939	272937	272460	272461
Model #	SSTHL27M	TSHL21	TSHL27	NTSHL21	NTSHL27	TSHL20-33	TSHL27-33	SSTHL27E	TEHL21	TEHL27	NTEHL21	NTEHL27
Capacity	2,200 lbs	2,200 lbs	2,200 lbs	2,200 lbs	2,200 lbs	3,300 lbs	3,300 lbs	2,200 lbs	3,000 lbs	3,000 lbs	2,200 lbs	2,200 lbs
W-1 x L-1	27" x 46"	21" x 44.5"	27" x 44.5"	21" x 44.5"	27" x 44.5"	20" x 43"	27" x 43"	27" x 46"	21" x 45"	27" x 45"	21" x 45"	27" x 45"
W-2	6.5"	6.5"	6.5"	6.5"	6.5"	6.5"	6.5"	6.5"	6.5"	6.5"	6.5"	6.5"
L-2	61"	63"	63"	56"	56"	63"	63"	61"	60"	60"	60"	63"
WHL-1/WHL-2	8" / 3"	6" / 3"	6" / 3"	6" / 3"	6" / 3"	6" / 3"	6" / 3"	8" / 3"	6" / 3"	6" / 3"	6" / 3"	6" / 3"
H-1/H-2/H-3	48.5" / 3.3" / 31.5"	48.5" / 3.6" / 31.5"	48.5" / 3.3" / 31.5"	48.5" / 3.3" / 31.5"	48.5" / 3.6" / 31.5"	48.5" / 3.6" / 31.5"	48.5" / 3.6" / 31.5"	48.5" / 3.3" / 31.5"	48.5" / 3.3" / 31"	48.5" / 3.3" / 31"	48.5" / 3.3" / 31"	48.5" / 3.3" / 31"
Telescoping	Yes	Yes	Yes	No	No	Yes	Yes	Yes	Yes	Yes	No	No
Weight	278 lbs	219 lbs	228 lbs	275 lbs	300 lbs	260 lbs	276 lbs	329 lbs	344 lbs	347 lbs	367 lbs	372 lbs
	TWO STAGE PUMP STROKES TO FULL HEIGHT (UNLOADED)											
Quick Lift	28	28	28	N/A	N/A	21	21					
Standard	69	67	67	35	35	63	63					

STANDARD/DELUXE POWERED



273385

Light Duty Powered Walkie Pallet Truck

- 1 year warranty: DC motor drive, hydraulic pump, controllers and switches.
- 90 day parts warranty.
- Two 12V/79Ah batteries.
- Built-in 12V/15A charger.
- Turn radius of 59".
- Lift speed under load: 1.36"/second.
- Lowering speed under load: 1.95"/second.
- Ergonomic handle with:
 - throttle with forward and reverse speeds
 - lift/lower controls
 - belly reverse safety button
 - horn
 - electromagnetic disk brake with automatic dead-man feature when handle is released.
- Key operated.
- 10" polyurethane steering and 3" polyurethane load wheels.

Heavy Duty Powered Walkie Pallet Truck

- 1 year warranty: DC motor drive, hydraulic pump, controllers and switches.
- 90 day parts warranty.
- Three 8V/195 Ah batteries.
- Turn radius of 65.5".
- Lift speed under load: 1.36"/second.
- Lowering speed under load: 1.36"/second.
- Ergonomic handle with:
 - throttle with forward and reverse speeds
 - lift/lower controls
 - belly reverse safety button
 - horn
 - electromagnetic disk brake with automatic dead-man feature when handle is released.
- Key operated.
- 10" polyurethane steering and 3" polyurethane load wheels.



273386

	Light Duty	Heavy Duty	
Part # - truck + battery + charger	273385	273382	273386
Part # - truck - no battery	170016	170013*	170017*
Capacity	3,300 lbs	4,400 lbs	4,400 lbs
W-1 x L-1	21.5" x 45"	26.5" x 45"	21.5" x 45"
W-2	6.25"	6.8"	6.8"
L-2	65.5"	73.75"	73.75"
WHL-1 / WHL-2	10" / 3"	10" / 3"	10" / 3"
H-1 / H-2 / H-3	57.5" / 3.2" / 7.8"	59" / 3.3" / 8"	59" / 3.3" / 8"
Truck Weight with Battery	628 lbs	1,370 lbs	1,337 lbs
Truck Weight without Battery	514 lbs	860 lbs	827 lbs

*Charger and battery not included.



SINCE 1948

PALLET TRUCKS & STACKERS



Shown with
Optional Bolt On Guard
(#273136).

NEW!

273129

Powered Pallet Truck Stacker

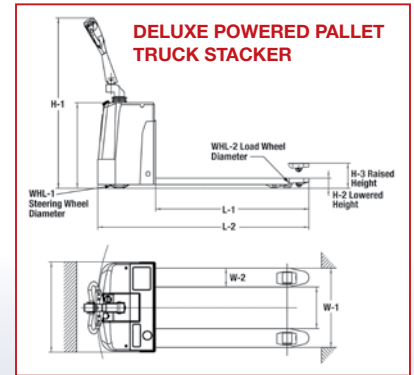
- 1 year warranty: DC motor drive, hydraulic pump, controllers and switches.
- 90 day parts warranty.
- Two 12V/106Ah batteries.
- Built-in 12V/15A charger.
- Turn radius of 53.5".
- Lift speed under load: 3"/second.
- Lowering speed under load: 4"/second.
- Ergonomic handle with:
 - throttle with forward and reverse speeds
 - lift/lower controls
 - belly reverse safety button
 - horn
 - electromagnetic disk brake with automatic dead-man feature when handle is released.
- Key operated.
- 10" polyurethane steering and 3" polyurethane load wheels.
- Adjustable forks.
- Adjustable outriggers - 38" - 52".
- **Optional guard available. Bolt on configuration. #273136.**

273129

2,200 lbs
32" x 45"
4"
69.5"
10" / 3"
77.6" / 1.6" / 60"
1,490 lbs
N/A

Deluxe Power Pallet Trucks

- 1 year warranty: DC motor drive, hydraulic pump, controllers and switches.
- 90-day parts warranty.
- Trucks sold complete with battery and charger.
- Ergonomic control handle with:
 - throttle forward and reverse speeds
 - lift and lower controls
 - horn
 - belly reverse safety button
 - electromagnetic disc brake with automatic dead-man feature when handle is released.



Light Duty
273445

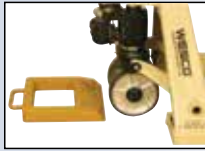
Heavy Duty
273446

Part #	273445	273446
Model	Light Duty	Heavy Duty
Capacity	3,300 lbs	4,400 lbs
W-1 x L-1	25.5" x 48"	27" x 48"
W-2	6.25"	6.25"
L-2	65"	72"
WHL-1 / WHL-2	10" x 3.5" / 3" x 3.75"	9" x 3" / 3" x 3.75"
H-1 / H-2 / H-3	50" / 3" / 7.67"	50" / 3" / 7.67"
Battery	(2) 12V 80Ah	24V 210 Ah
Steering Angle	205°	180°
Weight	631 lbs	1,147 lbs

PALLET TRUCK OPTIONS

Two Models to Help Secure Your Pallet Jack!

- Both models function well on any surface and resist slipping.
- To secure pallet jack, simply roll steering wheels up the pallet jack stop or chock incline and into holding area.



**EASY AS
1-2-3-GO!**

Pallet Truck Chock - High Visibility Yellow

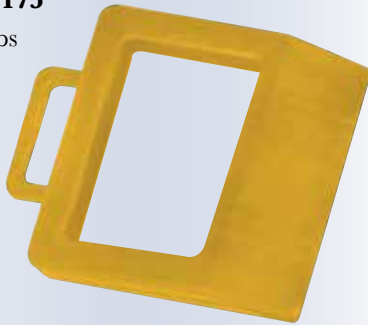
- Material: yellow hard rubber.

Part # 272175

Weight 3.4 lbs

**OVERALL
DIMENSIONS**

w: 11.75"
h: 2"
d: 14"



Pallet Jack Stop

- Material: black hard rubber.

Part # 272949

Weight 3.5 lbs

**OVERALL
DIMENSIONS**

w: 11.75"
h: 2"
d: 14"



3 in 1 Guard Adapter

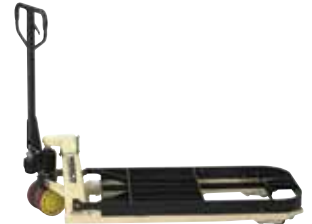
- Fits only specific Wesco 27" W pallet trucks: long fork, with brake, CPI and CP3 models.
- Easily attaches to Wesco CPI pallet truck.
- Factory or field installed.
- #272660 CPI Pallet Truck with Mounted Guard - **Part #272654** - 245 lbs.
- Guard only kit, field install. **Part #272004** - 54 lbs.



Milk Crate Guard



Box Guard



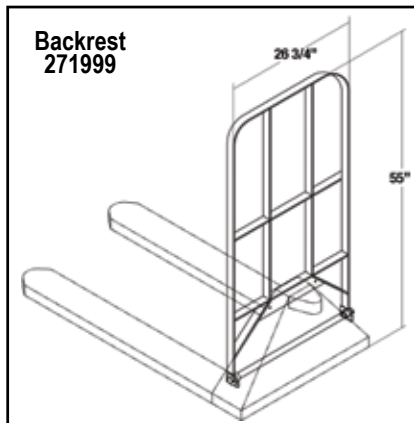
Skid Adapter

3 in 1 Guard featured as an option is three products in one compact design. You no longer need to purchase separate milk crate guards, box guards or skid adapters. Wesco's 3 in 1 guard does it all.

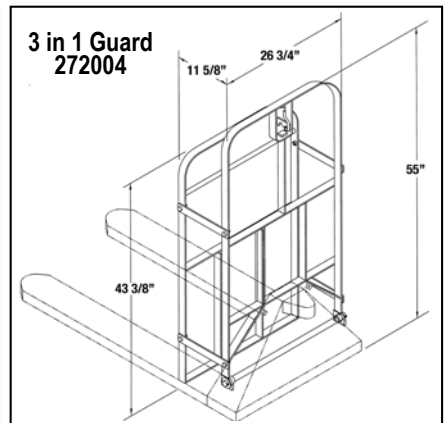
Cargo Backrest

- Fits only specific Wesco 27" W pallet trucks: long fork, with brake, CPI and CP3 models.
- Easy attachment, no drilling, can be field retrofitted.
- Field or factory installed.

- Backrest Only Kit - **Part #271999** - 27 lbs.
- Part #272296** - Assembled CPI Pallet Truck #272660 with Mounted Backrest #271999.



**Backrest
271999**



**3 in 1 Guard
272004**

3 in 1 Guard and Cargo Backrest designed for use only on specific Wesco Pallet Trucks. Use on trucks other than Wesco void any and all warranties.

WESCO[®]
Industrial Products, Inc.

Distributed by:

1250 Welsh Rd., North Wales, PA 19454
Phone: 215-699-7031
Fax: 215-699-3836
<http://www.wescomfg.com>
<http://www.lexcoeng.com>

For more details on this equipment or for information regarding any of the products available from WESCO Industrial Products, Inc., please contact your authorized dealer.